

## Wall mounting rail probe WSS



### Application

For the detection of conductive liquids such as rainwater, tap water, fresh water, waste water, cooling water and heating water.

### Versions

|                              | Part no. |
|------------------------------|----------|
| Wall mounting rail probe WSS | 55050    |

Blue part no. = in-stock items

### Description

Height-adjustable wall mounting rail probe suitable for WWG 2, ELT 8, ELT 680 and ELT 500/4. The probe is mounted to the wall at the object to be monitored. The desired response level (distance from probe to floor) is adjusted via the wall mounting rail. The alarm is triggered by the connected alarm unit when the probe comes into contact with liquid.

### Technical specifications

**Dimensions**

W x H x D: 37 x 320 x 55 mm

**Height-adjustable**

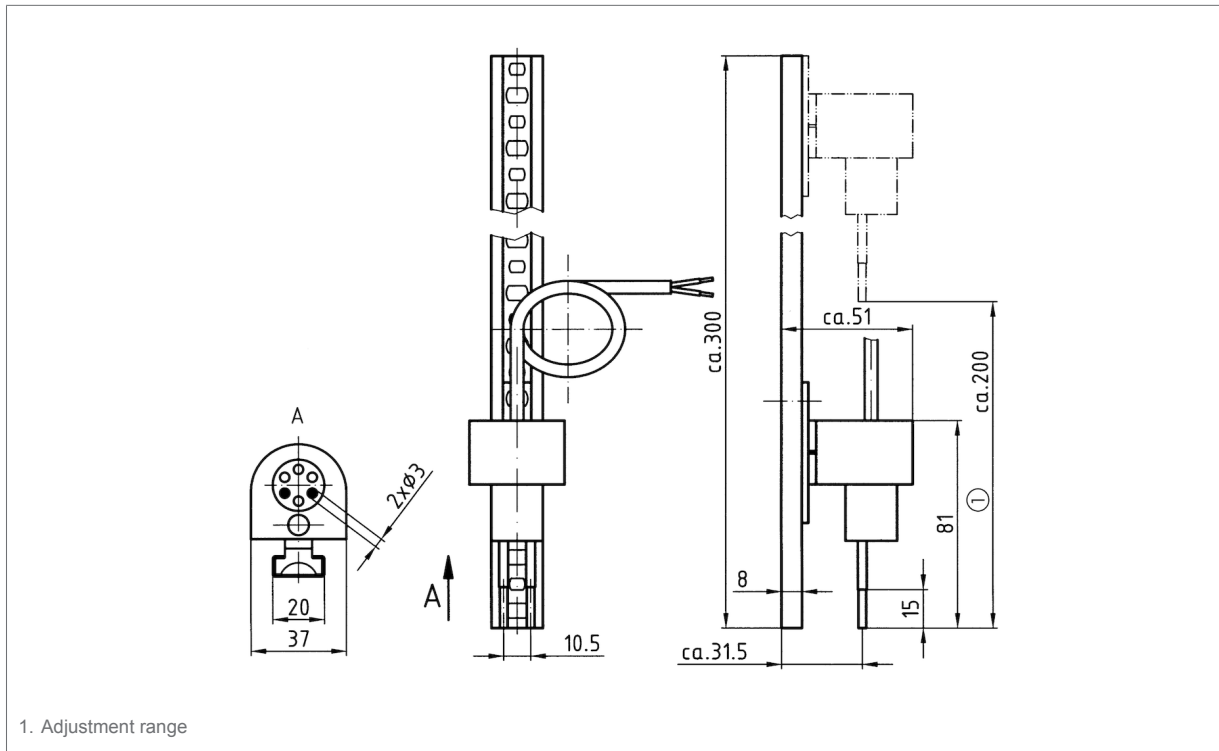
Approx. 200 mm

**Cable length**

1.5 m

### Detail views

#### wall mounting rail probe WSS



### Technical drawings

#### wall mounting rail probe WSS

